



# Series 2000 Right Angle Helical Bevel Gear Drives & Gear Motors



An Altra Industrial Motion Company



## Introducing new gearing solutions from Boston Gear

This well recognized Altra Industrial Motion brand has utilized its gearing expertise to offer the innovative Series 2000 product line. Boston Gear products have a reputation for superior engineering, quality manufacturing and reliable performance. As an industry leader, we have extensive experience and application knowledge in industries including material handling, food processing, packaging, bottling, and metals.

**For more information about Series 2000 Gear Drives or Gear Motors call: 888-243-3447**

## Series 2000

### Right Angle Helical Bevel Gear Drives and Gear Motors

#### Loaded with unique performance and convenience features to meet a wide variety of application requirements.

WE ASKED OEMS, END USERS AND DISTRIBUTORS WHAT MATTERED MOST WHEN IT CAME TO GEAR MOTOR DESIGN. THEIR RESPONSES HELPED GUIDE US IN THE DEVELOPMENT OF THE NEW SERIES 2000 GEAR MOTOR PRODUCT LINE.

#### Series 2000 Advantages

- **Altra's Competitive Displacement Product Offering**
  - Designed with critical dimensions equivalent to select competitive gear drives
- **Enhanced Performance**
  - High torque with ratings in accordance with AGMA standards provide long life and potential downsizing
  - Tested to an effective 25,000 hours. Proven ratings vs. theoretical
- **Design Flexibility**
  - Large assortment of shaft options for more application flexibility
  - Variety of optional hollow bore sizes available for quick delivery
  - Variety of input styles including NEMA and IEC C-FACE motor mounts
- **Fast and Easy Installation**
  - Unique mounting registers for quick, precision alignment
  - Keyless tapered bushing provides quick and secure installation of drive shaft
- **Low Maintenance**
  - Unique rounded surfaces allow for easier cleaning
  - Premium acrylic paint emulsion pigmented with alloy 316 stainless steel flake provides high corrosion & abrasion resistance for long term durability
  - Integrated O-rings at mounting interfaces provide high leak and ingress resistance
  - Automatic entrapment of wear debris for longer life
  - Large diameter oil fill/drain holes for fast oil changes
  - Synthetic lubrication extends gear life

**SERIES 2000 GEAR DRIVES AND GEAR MOTORS ARE DIMENSIONAL DROP-IN REPLACEMENTS FOR SEW EURODRIVE™ KA SERIES PRODUCTS**

#### Application Examples:

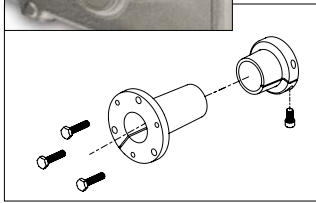
- Cheese slicers
- Dairy and bakery mixers
- Spiral heating and cooling racks
- Potato chip salter
- Produce drying bins (tumblers)
- Meat forming (links, patties, grinding)
- Meat carcass processing
- Bottling lines
- Unit conveyors
- Palletizers



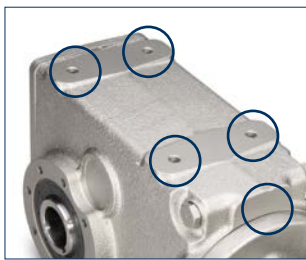
**Call 1-888-243-3447  
or visit [www.helical2000.com](http://www.helical2000.com)**



## C-face and Projecting Input Shaft



Optional unique keyless tapered bushing provides longer life and faster installation  
Stainless steel shafts also available



Unique mounting registers allow for quick precision alignment



Unique rounded housing surfaces for easier cleaning

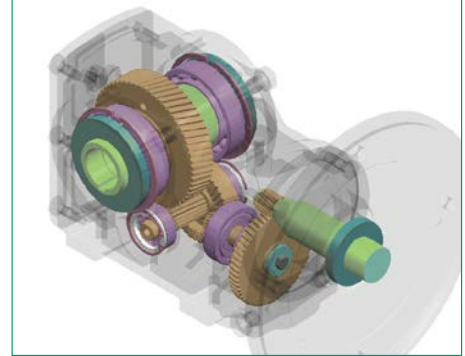
Unique Two-Tuff premium acrylic paint (standard)  
Washdown epoxy paint (optional)

High-efficiency synthetic oil (Standard)

Larger diameter oil fill/drain holes for faster oil changes

NEMA or IEC C-Face motor input with 3-Jaw coupling

Integrated O-rings



### Energy Efficient Design

With efficiency of 98% per gear mesh, Series 2000 helical bevel reducers are ideal for use in applications with:

- continuous or high duty cycle operations
- high-ratio reduction
- limited access applications where long life is a necessity



Projecting input shaft and stainless steel shafts available

## Integral Gear Motors



Optional output flange available on C-face or integral design models

Gear motors are Inverter rated for use with a VFD (Variable Frequency Drive)

Class 1, Div 2, Groups B/C/D/T3C rated enclosure

Motors are CE, CSA and UR certified

Motors meet or exceed EISA 2007 efficiency requirements

Highest quality bearings ensure long life

Specially designed fans and fan covers provide quieter operation

**Belted Drives and Sheaves**

**TB Wood's**

*Belted Drives*

Chambersburg, PA - USA  
**1-888-829-6637** – Press #5

*For application assistance:*  
 1-888-829-6637 – Press #7

**Couplings**

**Ameridrives Couplings**

*Mill Spindles, Ameriflex,  
 Ameridisc*

Erie, PA - USA  
**1-814-480-5000**

*Gear Couplings*

San Marcos, TX - USA  
**1-800-458-0887**

**Ameridrives Power Transmission**

*Universal Joints, Drive Shafts,  
 Mill Gear Couplings*

Green Bay, WI - USA  
**1-920-593-2444**

**Bibby Turboflex**

*Disc, Gear, Grid Couplings,  
 Overload Clutches*

Dewsbury, England  
**+44 (0) 1924 460801**

Boksburg, South Africa  
**+27(0) 11 918 4270**

**Guardian Couplings**

*Engineered Flywheel Couplings,  
 Engine Housings and Pump Mounts,  
 Flexible Shaft Couplings*

Michigan City, IN - USA  
**1-219-874-5248**

**Huco Dynatork**

*Precision Couplings and  
 Air Motors*

Hertford, England  
**+44 (0) 1992 501900**

Chambersburg, PA - USA  
**1-888-829-6637**

**Couplings Cont.**

**Lamiflex Couplings**

*Flexible Couplings, Bearing  
 Isolators, and Coupling Guards*

Cotia, SP - Brasil  
**+55 (11) 4615-6300**

**TB Wood's**

*Elastomeric Couplings*

Chambersburg, PA - USA  
**1-888-829-6637** – Press #5

*For application assistance:*  
 1-888-829-6637 – Press #7

*General Purpose Disc Couplings*

San Marcos, TX - USA  
**1-888-449-9439**

**Electromagnetic  
 Clutches and Brakes**

**Inertia Dynamics**

*Spring Set Brakes; Power On and  
 Wrap Spring Clutch/Brakes*

New Hartford, CT - USA  
**1-800-800-6445**

**Matrix International**

*Electromagnetic Clutches  
 and Brakes, Pressure Operated  
 Clutches and Brakes*

Brechin, Scotland  
**+44 (0) 1356 602000**

New Hartford, CT - USA  
**1-800-825-6544**

**Warner Electric**

*Electromagnetic Clutches  
 and Brakes*

New Hartford, CT - USA  
**1-800-825-6544**

*For application assistance:*  
 1-800-825-9050

Saint Barthélemy d'Anjou, France  
**+33 (0)2 41 21 24 24**

*Precision Electric Coils and  
 Electromagnetic Clutches and  
 Brakes*

Columbia City, IN - USA  
**1-260-244-6183**

**Engineered  
 Bearing Assemblies**

**Kilian Manufacturing**

*Engineered Bearing  
 Assemblies*

Syracuse, NY - USA  
**1-315-432-0700**

**Gearing**

**Bauer Gear Motor**

*Geared Motors*

Esslingen, Germany  
**+49 (711) 3518-0**

Somerset, NJ - USA  
**1-732-469-8770**

**Boston Gear**

*Enclosed and Open Gearing,  
 Electrical and Mechanical  
 P.T. Components*

Charlotte, NC - USA  
**1-800-825-6544**

*For application assistance:*  
 1-800-816-5608

**Nuttall Gear and  
 Delroyd Worm Gear**

*Worm Gear and  
 Helical Speed Reducers*

Niagara Falls, NY - USA  
**1-716-298-4100**

**Heavy Duty  
 Clutches and Brakes**

**Industrial Clutch**

*Pneumatic and Oil Immersed  
 Clutches and Brakes*

Waukesha, WI - USA  
**1-262-547-3357**

**Svendborg Brakes**

*Industrial Brakes and  
 Brake Systems*

Vejstrup, Denmark  
**+45 63 255 255**

**Twiflex Limited**

*Caliper Brakes and Thrusters*

Wichita Falls, TX - USA  
**1-844-723-3483**

Twickenham, England  
**+44 (0) 20 8894 1161**

**Heavy Duty  
 Clutches and Brakes Cont.**

**Wichita Clutch**

*Pneumatic Clutches  
 and Brakes*

Wichita Falls, TX - USA  
**1-800-964-3262**

Bedford, England  
**+44 (0) 1234 350311**

**Linear Products**

**Warner Linear**

*Linear Actuators*

Belvidere, IL - USA  
**1-800-825-6544**

*For application assistance:*  
 1-800-825-9050

Saint Barthélemy d'Anjou,  
 France  
**+33 (0)2 41 21 24 24**

**Overrunning Clutches**

**Formsprag Clutch**

*Overrunning Clutches  
 and Holdbacks*

Warren, MI - USA  
**1-800-348-0881** – Press #1

*For application assistance:*  
 1-800-348-0881 – Press #2

**Marland Clutch**

*Roller Ramp and Sprag Type  
 Overrunning Clutches  
 and Backstops*

South Beloit, IL - USA  
**1-800-216-3515**

**Stieber Clutch**

*Overrunning Clutches  
 and Holdbacks*

Heidelberg, Germany  
**+49 (0) 6221-30470**

For information concerning our  
 sales offices in Asia Pacific  
 check our website  
[www.altramotion.com.cn](http://www.altramotion.com.cn)



[www.bostongear.com](http://www.bostongear.com)

701 Carrier Drive  
 Charlotte, NC 28216 - USA  
 Phone: 704-588-5610  
 Fax: 704-588-7181

Customer Service:  
 800-825-6544  
 Application Assistance:  
 800-816-5608