

The gearing limit switch GE 1 / GE 2 is a rugged switching device to IEC/EN 60947-5-1 designed for hoisting applications. The modular micro changeover contacts with positive opening operation.

Contact complement 2 A 250 V AC 15 or 3 A 24 V DC 13

The device is programmed by means of stepless adjustment of double cam disks, which can be provided from 18° to 192° contact disks according to the switching program required.

The type GE 1 includes a double cam disk conjointly lockable.
The type GE 2 includes a double cam disk individually lockable.

The following gear ratios (n:1) are possible:
from 2 to 320
Further ratios can be provided as required.
The maximum usable rotational angle at the spindle is 342°.

Surface treatment
Primer, top coat: 2 coats of epoxy-resin paint, standard colour
RAL 7032 pebble-grey textured varnish

Mechanical life
10 million (operating cycles)

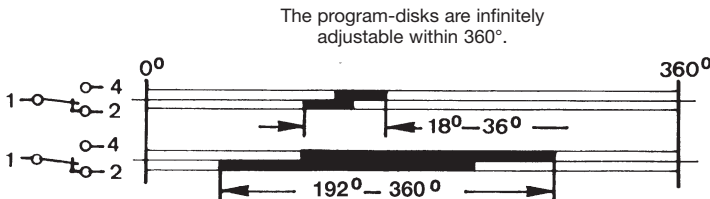
Permissible ambient temperature
Operation -40° C to +60° C
Storage -50° C to +80° C

Climate resistance
Damp heat constant IEC 60068-2-78
Damp heat cyclic IEC 60068-2-30
Degree of protection (in housing) IP 65 IEC/EN 60529

Technical data look catalog 4/100, GE 1 T 576, GE 2 T 577

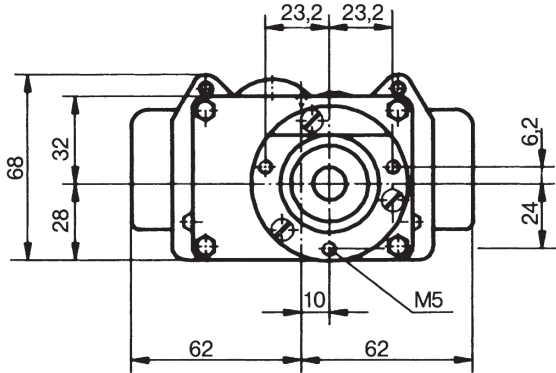
Type GE1-40-6P-U...

Pos.		Type-expansion		Weight gramm	Type	Price EURO
1	Drive with drive shaft, with mounting flange			350	GE1	
2	Drive with drive shaft, with mounting flange			350	GE2	
3	Gearing Ratios (n : 1) 2 : 1 to 10 : 1			400		
4				450		
5				500		
6				550		
7				600		
8				650		
9	or ratios to your instructions			650		
10	Limit switch		No. of contacts 2	350	2	
11			3	400	3	
12	Switching program with 18°, 24°, 30°, 36°, 45°, 60°, 75°, 90°, 110°, 120°, 176° or 192° contact ways program-disks (please select)		4	450	4	
13			5	500	5	
14			6	550	6	
15			7	600	7	
16			8	650	8	
17			9	700	9	
18			10	750	10	
19			11	800	11	
20			12	850	12	
21			13	900	13	
22			14	950	14	
23			15	1000	15	
24	or to your contact-arrangement		16	1050	16	
25	Double cam disk individually lockable for GE 2		1			
27	Potentiometer e.t.c. with mounted Wire-wound potentiometer PW 70 d linear, 5 Watt wiper current max. 30 mA resistance 1k ± P992, 2k ± P993, 5k ± P994, 10k ± P995	P99 □		100	P	
28	Prepared for mounting potentiometer (gearing metal)				(P)	
29	Prepared for mounting potentiometer e.t.c. adjusting angle variable More potentiometer e.t.c. look catalog 1/240ff	P...			(P)	
30	Aluminium housing U 17 / 13 for max. 8 contacts GE 1			1500	U5	
31	Aluminium housing U 16 / 16 for max. 12 contacts GE 1 , max. 6 contacts GE 2			2000	U6	
32	Aluminium housing U 16 / 20 for max. 16 contacts GE 1 , max. 10 contacts GE 2			2500	U7	
33	Aluminium housing U 16 / 26 for max 16 contacts GE 1			3000	U8	
34	Aluminium housing U 16 / 35			3500	U9	

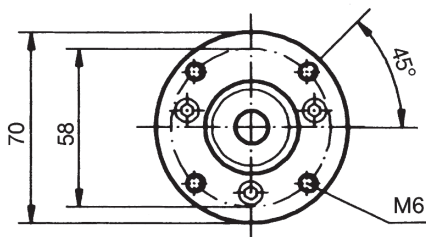
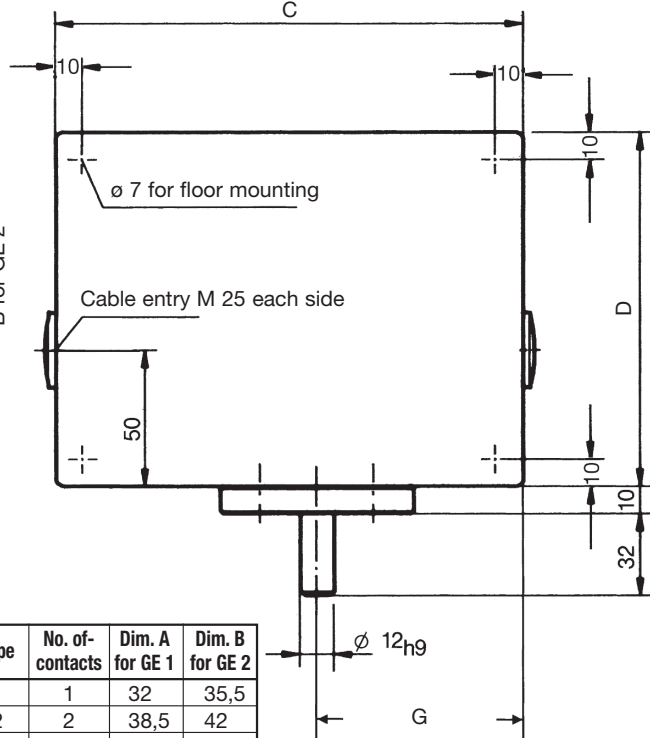
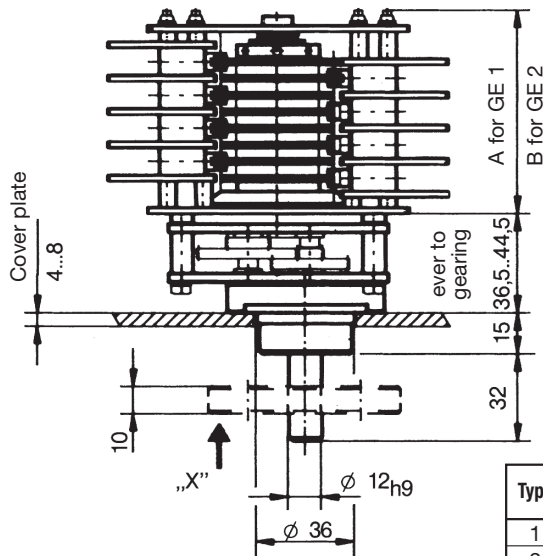
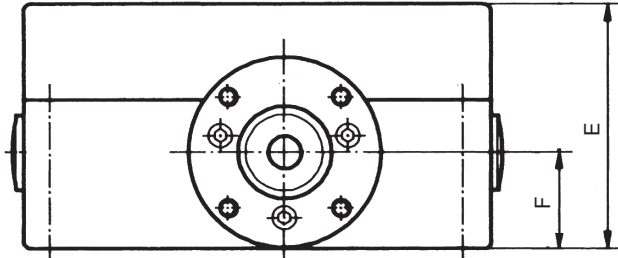




View without build-on flange



Protection IP 65



Build-on flange, view „X”

Type	No. of contacts	Dim. A for GE 1	Dim. B for GE 2
1	1	32	35,5
2	2	38,5	42
3	3	44,5	48
4	4	50,5	54
5	5	56,5	60
6	6	63	66,5
7	7	69	72,5
8	8	75	78,5
9	9	81	84,5
10	10	87	90,5
11	11	93	96,5
12	12	99	102,5
13	13	105,5	109
14	14	111,5	115
15	15	117,5	121
16	16	123,5	127

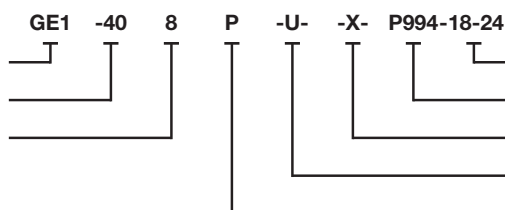
Type	Dim. C	Dim. D	Dim. E	Dim. F	Dim. G
U17/13	170	130	90	35,5	75
U16/16	160	160	91	45	70
U16/20	160	200	100	45	70
U16/26	160	260	91	45	70
U16/35	160	350	100	45	70

Example for type-sign

gear limit switch

gear ratios

No. of contacts



program-disk contact 1, 2...

Potentiometer description

special please describe

aluminium housing

Potentiometer e.t.c.