

JDN TROLLEYS



JDN TROLLEYS



Carrying capacities: up to 20 t

JDN Trolleys are available for all hoists of the PROFI and M series:

- As manual trolleys (LN) for pushing or pulling the trolleys by hand
- As reel chain trolleys (LH) for moving the trolleys by operating the reel chain mechanism
- As motorised trolley (LM) powered by an air motor

Standard Features

- Easy to install
- With anti-climb and anti-drop devices
- Robust manufacture requiring little maintenance
- Able to negotiate curves

Options

- Rack and pinion drive
- Spark-resistant package
- Offshore paint

Energy Feeding Systems

The air supply can be fed by various systems:

- Energy chain
- C-rail
- Square rail
- Spiral hose
- Hose trolleys

Technical Data

The designation of the trolley is composed of the short code (LN, LH, LM) and the carrying capacity acc. to table, as for example LN 1t.

JDN Air Hoist PROFI	025 TI	05 TI	1 TI	1.5 TI	2 TI	3 TI/2	3 TI	6 TI	10 TI	16 TI	20 TI
Carrying capacity of trolley LN	0.5	1	2			3.2	6.3	10-16			-
Carrying capacity of trolley LH and LM	2					3.2	6.3	10-16			20
Carrying capacity of hoist with trolley	0.25	0.5	1	1.6	2	3.2	6.3	10	16		20
Weight of Manual Trolley (LN)	17 kg	23.1 10.5	39.6 18			57.3 26	257.9 117	418.9 190			-
Weight of Reel Chain Trolley (LH)			57.3 26			81.6 37	280 127	485 220			628.3 285
Weight of Motor Trolley (LM)			57.3 26			72.8 33	273.4 124	485 220			628.3 285
Hoist weight, standard lift	59.5 kg	59.5 27	61.7 28	123.5 56	75 34	145.5 66	189.6 86	242.5 110	344 156	529 240	628.3 285
Total weight with standard lift Manual Trolley	76.5 kg	76.5 34.7	84.9 38.5	163.1 74	114.6 52	202.8 92	246.9 112	500.4 227	762.8 346	948 430	-
Total weight with standard lift Reel Chain Trolley	116.8 kg	116.8 53	119.1 54	180.8 82	132.3 60	227.1 103	271.1 123	522.5 237	829 376	1014 460	1257 570
Total weight with standard lift Motor Trolley	116.8 kg	116.8 53	119.1 54	180.8 82	132.3 60	218.3 99	262.4 119	515.9 234	829 376	1014 460	1257 570
Weight of chain	lbs/ft	0.67		1.2	0.67	1.2	2.6		3.9		
	kg/m	1		1.8	1	1.8	3.8		5.8		
Chain dimension	mm	7x21		9x27	7x21	9x27	13x36		16x45		
Number of chain strands		1			2		1	2	3	4	
Air pressure Motor Trolley	PSI bar	85 6		65-85 4-6	85 6	65-85 4-6		85 6			
Air consumption Motor Trolley ⁴ (at full load)	cfm m ³ /min			21.2 0.6				45.9 1.3			
Air consumption hoist (at full load)	cfm m ³ /min	53 1.5		53-92 1.5-2.6	53 1.5	53-92 1.5-2.6		194.2 5.5			
Motor output Motor Trolley ⁴	kW			0.2				0.7			
Motor output hoist	kW	1		1.3-2	1	1.3-2		3.5			
Travelling distance Reel Chain Trolley, chain reel off	33 ft 10 m	ft m		4.6 1.4				3.6 1.1		3.3 1.0	
Travelling speed Motor Trolley ⁴ (at full load)	ft/min m/min			29.5*/45.9 9*/14				16.4*/39.4 5*/12			
Hose connection Motor Trolley		G 1/2		G 3/4	G 1/2			G 3/4			
Minimum radius Manual Trolley	ft m	3 ¹ 0.9 ¹	3.3 ¹ 1.0 ¹	3.9 ¹ 1.2 ¹		1.6 ¹ 0.5 ²		3.3 ¹ 1 ²			-
Minimum radius Reel Chain Trolley and Motor Trolley	ft m			1.6 ² 0.5 ²				3.3 ² 1 ²		4.9 ² 1.5 ²	
Max. bottom flange thickness t Manual Trolley	inch mm	1.2 30	1.0 25	1.1 28		1.6 40		2.6 ⁵ 65 ⁵			-
Max. bottom flange thickness t Reel Chain and Motor Trolley	inch mm			1.6 40				2.6 ⁵ 65 ⁵			-
Max. bottom flange width b Manual Trolley	inch mm	8.7 220		12 305			12.2 310				-
Max. bottom flange width b Reel Chain and Motor Trolley	inch mm		11 280				12.2 310				-
Min. bottom flange width b Manual Trolley	inch mm	2 50	2.3 58	2.6 66	2.3 58	2.1 54		5 128			-
Min. bottom flange width b Reel Chain and Motor Trolley	inch mm		2.2 56		2.3 58	2.1 54		5 128		5.8 148	
Noise level at Motor Trolley ^{3,4}	dB(A)						80				

*1st speed of F control with two speeds
¹Measured at the middle of the beam
²Measured at the inner edge of the beam
³Measured at 1m distance acc. to DIN 45635 part 20
⁴At 6 bar
⁵55 mm, if hoist is suspended

- Capacities over 20 t see JDN Monorail Air Hoists page 24
- Versions with one and two hooks (e.g. BBH) see page 22
- Low Headroom Trolleys for restricted headrooms see page 20

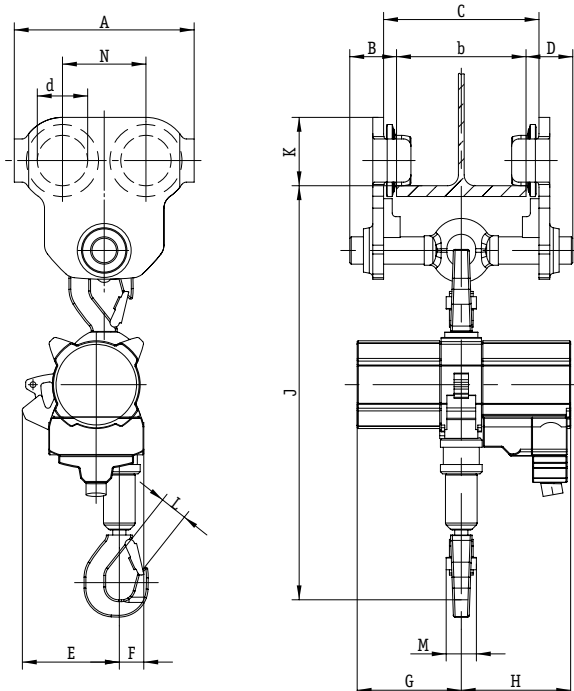


PROFI in Manual Trolley (LN)

Dimensions

JDN Air Hoist PROFI		025 TI	05 TI	1 TI	1.5 TI	2 TI	3 TI/2	3 TI	6 TI	10 TI	16 TI
With Trolley		LN 0.5 t		LN 1 t	LN 2 t		LN 3.2 t		LN 6.3 t	LN 10-16 t	
A	inch mm	10.2 260			12.2 310		11.5 292		19.7 500	19.3 490	
B max.	inch mm	4.7 119			4.8 122		4.5 113		6.2 157	6.4 162	
C	inch mm	b + 1.1 b + 28			b + 1 b + 26		b + 2.4 b + 60			b + 2.8 b + 70	
d	inch mm	2.2 55		2.7 68	3.2 80		3.3 84			6.5 165	
D max.	inch mm	4.7 119			4.8 122		4.5 113		6.2 157	6.4 162	
E	inch mm	5.4 137			5.7 170	5.4 137	5.5 140	7.4 187	6.1 154	7.8 197	7.8 199
F	inch mm	1.5 39			1.8 45	1.8 46	3.0 75	1.8 46	3.1 79	4.3 109	
G	inch mm	5.7 145			7.9 200	5.7 145	7.9 200	9.2 233		12.1 308	15 382
H	inch mm	6 152			3.3 212	6 152	3.3 212	9.8 250		10.5 267	12.2 310
J* (mounted)	inch mm	- -	- -	- -	- -	- -	24.1 613	25 635	30 763	37 929	39 982
J* (suspended)	inch mm	20.9 530			23.1 588	23.5 597	- -	31.4 798	36.2 919	46.3 1176	49.6 1260
K	inch mm	2.7 67.5		3.2 81.5	3.7 94		4.2 107			7.4 188	
L	inch mm	1.1 28			1.0 26		1.1 28	1.2 30	1.6 40	1.7 44	2.1 53
M	inch mm	1.7 42			1.6 40		1.7 42		2 51	2.6 66	3.2 82
N	inch mm	5.1 130				5.9 150		5.4 136		9.3 236	

*Chain containers increase the hoist headroom



JDN TROLLEYS

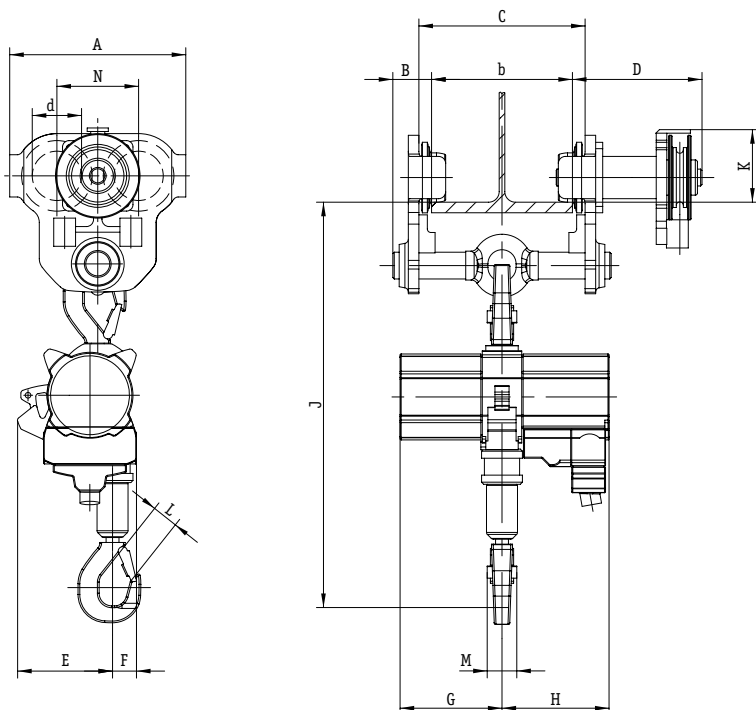


PROFI in Reel Chain Trolley (LH)

Dimensions

JDN Air Hoist PROFI		025 TI	05 TI	1 TI	1.5 TI	2 TI	3 TI/2	3 TI	6 TI	10 TI	16 TI	20 TI
With Trolley				LH 2 t			LH 3.2 t	LH 6.3 t		LH 10-16 t		LH 20 t
A	inch			9.8			11.5	19.7		19.3		23.6
	mm			250			292	500		490		600
B max.	inch			5.1			4.4	6.2		6.4		5.2
	mm			130			113	157		162		132
C	inch			b + 1.4			b + 2.4			b + 2.8		b + 2.7
	mm			b + 36			b + 60			b + 70		b + 68
d	inch			2.8			3.3			6.5		7.3
	mm			70			84			165		185
D	inch		7.2		11.2	7.2	11.6	12.1		12.6		12.6
	mm		184		284	184	294	294	307	320		320
E	inch		5.4		6.7	5.4	5.5	7.4	6.1	7.8	7.8	7.1
	mm		137		170	137	140	187	154	197	199	180
F	inch		1.5		1.7	1.8	3.0	1.8	3.1	4.3		5.3
	mm		39		45	46	75	46	79	109		135
G	inch		5.7		7.9	5.7	7.9	9.2	12.1	15		15
	mm		145		200	145	200	233	308	382		382
H	inch		6		3.3	6	3.3	9.8	10.5	12.2		12.2
	mm		152		212	152	212	250	267	310		310
J* (mounted)	inch	-	-	-	-	-	24.1	25	30	37	39	44.3
	mm	-	-	-	-	-	613	635	763	929	982	1125
J* (suspended)	inch		22.2		23.7	24.1	-	31.4	36.2	46.3	46.1	58.1
	mm		563		602	611	-	798	919	1176	1171	1475
K	inch			4.1			4.4			8.5		8.9
	mm			103			110			215		226
L	inch		1.1		1.0	1.1	1.2	1.6	1.7	2.1		2.9
	mm		28		26	28	30	40	44	53		75
M	inch		1.7		1.6		1.7	2	2.6	3.2		3.4
	mm		42		40		42	51	66	82		86
N	inch			4.6			5.4		9.3			10.8
	mm			116			136		236			274

*Chain containers increase the hoist headroom



PROFI 1 TI in Reel Chain Trolley



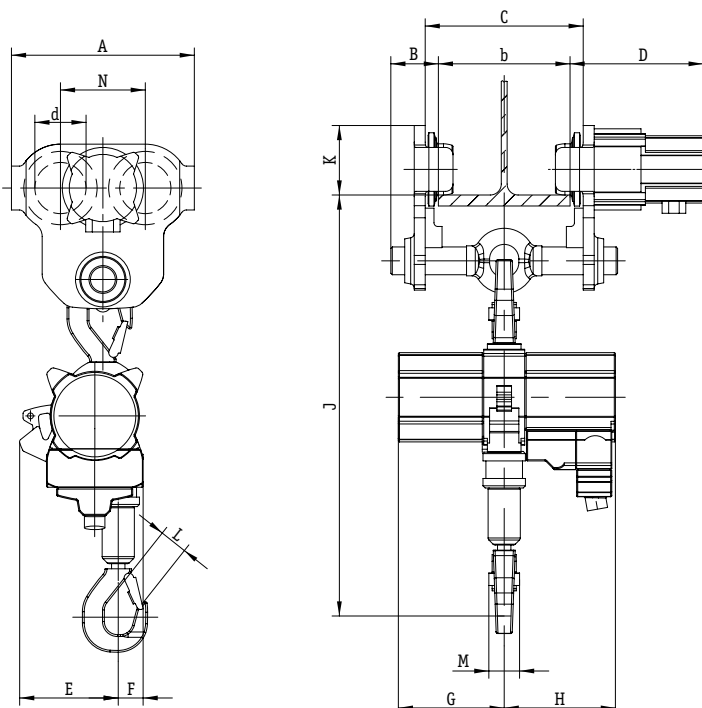


PROFI in Motor Trolley (LM)

Dimensions

JDN Air Hoist PROFI		025 TI	05 TI	1 TI	1.5 TI	2 TI	3 TI/2	3 TI	6 TI	10 TI	16 TI	20 TI
With Trolley				LM 2 t				LM 3.2 t	LM 6.3 t	LM 10-16 t		LM 20 t
A	inch			9.8				11.5	19.7		19.3	23.6
	mm			250				292	500		490	600
B max.	inch			5.1				4.4	6.2		6.4	5.3
	mm			130				113	157		162	134
C	inch			b + 1.4				b + 2.4		b + 2.8		b + 2.7
	mm			b + 36				b + 60		b + 70		b + 68
d	inch			2.8				3.3		6.5		7.3
	mm			70				84		165		185
D	inch		7.3		7.3	7.3		7.5	8.1		12.5	12.9
	mm		185		185	185		191	205		318	328
E	inch		5.4		6.7	5.4	5.5	7.4	6.1	7.8	7.8	7.1
	mm		137		170	137	140	187	154	197	199	180
F	inch		1.5		1.7	1.8	3.0	1.8	3.1		4.3	5.3
	mm		39		45	46	75	46	79		109	135
G	inch		5.7		7.9	5.7	7.9		9.2	12.1		15
	mm		145		200	145	200		233	308		382
H	inch		6		3.3	6	3.3		9.8	10.5		12.2
	mm		152		212	152	212		250	267		310
J* (mounted)	inch	-	-	-	-	-	24.1	25	30	37	39	44.3
	mm	-	-	-	-	-	613	635	763	929	982	1125
J* (suspended)	inch		22.2		23.7	24.1	-	31.4	36.2	46.3	46.1	58.1
	mm		563		602	611	-	798	919	1176	1171	1475
K	inch			3.7				4.2		7.4		8.6
	mm			95				107		188		218
L	inch		1.1		1.0	1.1		1.2	1.6	1.7	2.1	2.9
	mm		28		26	28		30	40	42	55	75
M	inch		1.7		1.6		1.7		2	2.6	3.2	3.4
	mm		42		40		42		51	66	82	86
N	inch			4.6				5.4		9.3		10.8
	mm			116				136		236		274

*Chain containers increase the hoist headroom



PROFI 2 TI in Motor Trolley